

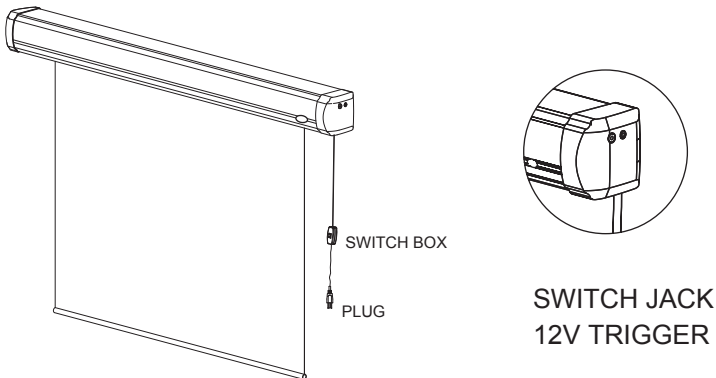
## IMPORTANT SAFETY INSTRUCTIONS

Basic safety precautions, including the following should always be followed.

- Close supervision is necessary when any motorized screen is used by or near children, do not leave motorized screen unattended while in use.
- Do not operate motorized screen with damaged cord or if the motorized screen has been dropped or damaged, until it has been examined by a qualified service technician.
- Position the cord so that it will not be tripped over, pulled or in contact with hot surfaces.
- Never yank cord to pull plug from outlet. Always grasp plug by head and pull to disconnect.
- Let appliance cool completely before putting away. Loop cord loosely around appliance when storing.
- To reduce the risk of electric shock, do not immerse this motorized screen in water or other liquids.
- To reduce the risk of electric shock, do not disassemble this appliance, only a qualified service technician may service or repair motorized screen. Incorrect reassembly can cause electric shock when the motorized screen is used.
- Only use accessory attachment recommended by the manufacturer. Use of non-manufacturer recommended accessory attachments, may void the screen's warranty and release Panoview of all liability.
- Basic electrical safety precautions should always be observed.
- In the event, the above mentioned safety precautions are not observed. The warranty may be void and Panoview released of all liability.

Thank you for choosing Panoview screens. All screens have passed the strict quality inspection before delivery. Read this manual carefully to ensure proper usage.

**Important Attention:** the installation of the screen, the electric wire connection, the setting of the limit switches must be made by a trained engineer only



Motorized screen with IR remote control, switch control & 12v trigger port

Technical data:

Input Voltage: 120VAC/60HZ

Output Voltage: 3A

Fuse: 1A

IR Remote Control Distance:  $\leq 8\text{m}$ ,  $\pm 15^\circ$  Horizontal

12V Trigger Jack: OD3.4xID1.3

12V Trigger Signal: Voltage: 7---11VAC or 8---16VDC, Current:  $\geq 2\text{mA}$

IR Handset: 1pc

Switch control: 1pc

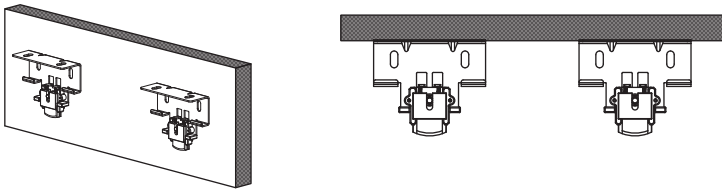
Unpack screen carefully, be sure screen is in good condition, and check that all accessories are included inside carton.

Care in mounting and care in correct operation will mean a long and satisfactory life for your Panoview screen. Locate the screen where the audience can best see it and where other furnishings in the room permit.

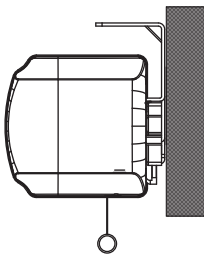
Check that voltage and frequency marked on screen is in accordance with local power utility. It is suggested only to use screen indoor under normal temperature and humidity conditions.

Remove two pulling locks on the bottom slat bar after the case has been installed.

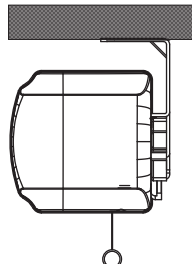
Install screen brackets onto ceiling or wall with appropriate hardware.



Anchor screen onto bracket as shown in above figure below.



MOUNT SCREEN TO WALL

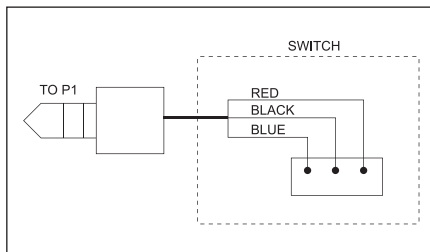
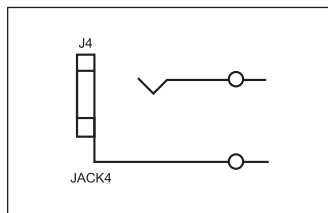
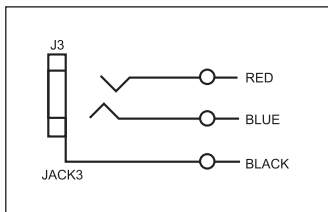
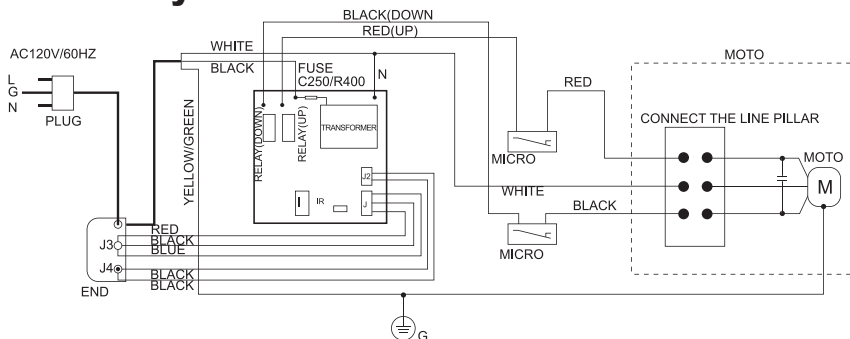


MOUNT SCREEN TO CEILING

## ELECTRIC CONNECTION

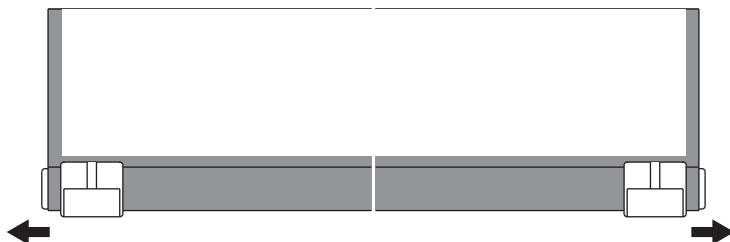
Internal wiring has been completed at the factory.No additional wiring is necessary.

**Note:all wiring related to the screen,may only be serviced by a manufacturer approved trained electrical technician.Tampering with electrical wiring may void warranty and release Panoview of liability.**



**OPERATING INSTRUCTION:**

Remove two pulling locks on the bottom bar first before any operation. this is important to prevent motor damage.



Plug in power supply.

For Switch control: Plug in Switch into switch jack. Press button to Up position, screen goes up. Press button to stop position, screen stops. Press button to down position, screen goes down.

For IR Remote: Direct the handset to IR window on screen housing. Press the Up/Stop/Down button on the handset, screen goes Up/Stop/Down accordingly.

For 12V trigger: Input 12V trigger signal, screen goes down. Stop this signal, screen goes up.

Electric lock: Press the Up & Down buttons on the IR handset together, then all Up & Down buttons on the switch and IR handset will be locked. To be unlocked press Stop button on the IR handset again or unplug the power supply and plug in again.

Keeping the screen rolled in its protective case when not in use. Always examine both front and back of surface before re-rolling into case to make certain screen is free of dust, dirt or other foreign matter.

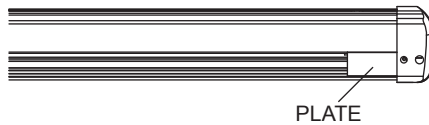
## SCREEN ADJUSTMENT

**Note: Adjustments to screen limit positions, can only be performed by a trained technician.**

Screen travel is stopped automatically in the down and up positions by limit switches that are preset in the factory. If it is necessary to adjust for more or less, please follow the steps below for adjustment.

Disconnect the power supply first before any operation.

Remove the plate on right bottom side of screen housing.

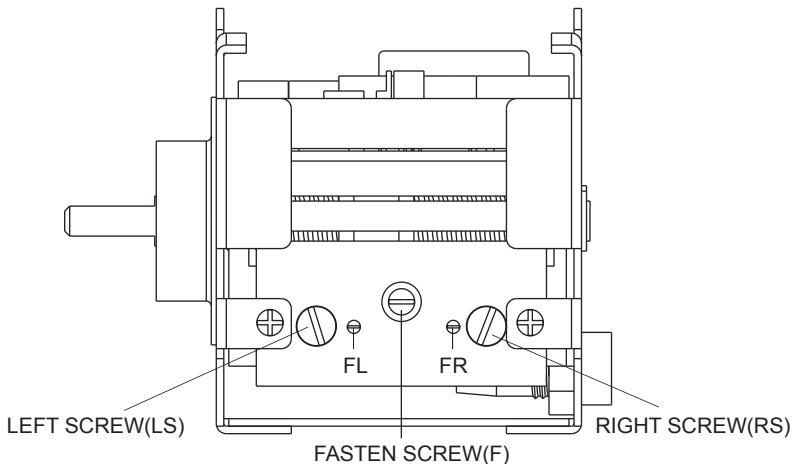


### This is important.

Loosen Fasten Screw(F) first before adjustment,

Upper limit switch is on the left side and bottom limit is on the right side.

Tighten Fasten Screen( F) after all adjustment.



## SETTING THE DOWN LIMIT POSITION

To reduce screen drop:

Make sure middle fasten screw (F) is loosened, then loosen small right fasten screw (FR). Turn right screw (RS) counterclockwise to decrease the amount of screen drop. Run the screen down to test the stop position. If the screen drops too far, adjust the limit switch again. Repeat until the desired position is set. When complete, fasten middle fasten screw (F) and small right fasten screw (FR).

To increase screen drop:

Make sure middle fasten screw (F) loosened, then loosen small right fasten screw (FR), turn right screw (RS) clockwise to increase the amount of screen drop. Run the screen down to test the stop position. If the screen does not drop enough, adjust the limit switch again. Repeat until the desired position is set. When complete, fasten middle fasten screw (F) and small right fasten screw (FR).

## SETTING THE UP LIMIT POSITION

**CAUTION: Do not allow the slat bar to become wedged between the roller and case. This could damage the fabric and motor. Always check that the slat is free to move inside the case.**

Screen travels into case too far:

Make sure middle fasten screw (F) loosened, then loosen small left fasten screw (FL). Turn left screw (LS) clockwise to decrease the amount of travel. Run the screen up to test the stop position. If the screen does not stop properly, adjust the limit switch again. Repeat until the desired position is set.

When complete fasten middle fasten screw (F) and small left fasten screw (FR).

Screen does not travel far enough into case:

Make sure middle fasten screw (F) loosened, then loosen small left fasten screw (FL). Turn left screw (LS) counterclockwise to increase the amount of up travel. Run the screen up to test the stop position. If more travel is desired, adjust the limit switch again. Repeat until the desired position is set. When complete fasten middle fasten screw (F) and small left fasten screw (FR).